

INSTALLATION

LEAFSAFE GUTTERING

Variations of guttering profiles

Variations may occur in the width **E** of guttering and the leading rolled edge **F**, depending on different brands, styles or roll-forming machines used for manufacture.

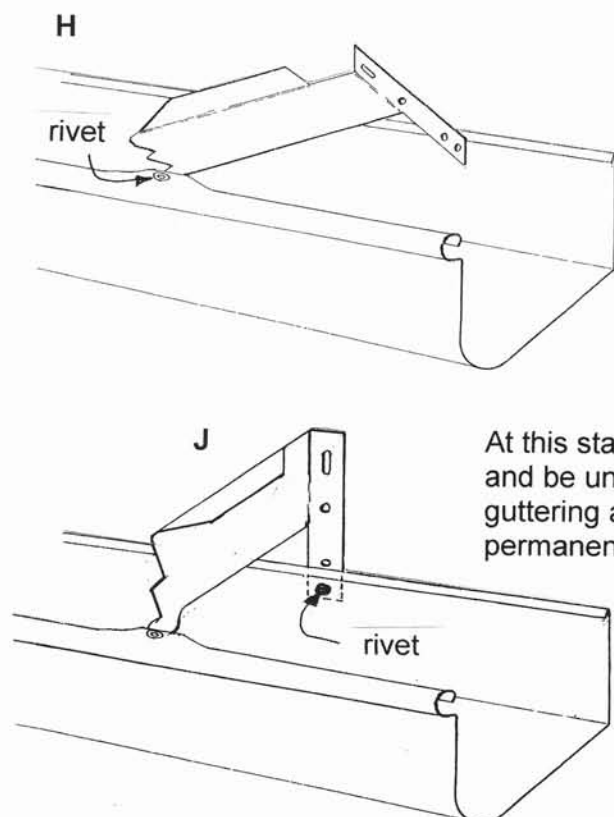
Leaf Safe capping is based on using a gutter width of 135 mm but can be used on gutter widths between 125 mm and 145 mm **E**. Brackets are riveted front and back to spread or compress the gutter cross section to suit the width of the bracket.

Before deciding on fixing method to be used - shown Detail **G** or **HJ** test bracket in the gutter for fit **G**. If hook fits snugly into rolled edge, determine height of bracket and using one of the rivet holes which best suits the rear of gutter height, drill gutter and fix bracket using one rivet only.



If above test fails use front and rear rivet method as follows :-

- Bend up rolled edge with pliers and drill rivet hole into top approximately 5mm in from edge.
- Lay bracket flat and rivet to gutter - **H**
- Twist and stand up bracket, determine height, and using one of the rivet holes which best suits the rear of gutter height drill gutter and fix bracket using one rivet only - **J**



At this stage the gutter may appear to spread and be uneven. This will be corrected when the guttering and brackets are raised and screwed permanently to the fascia.